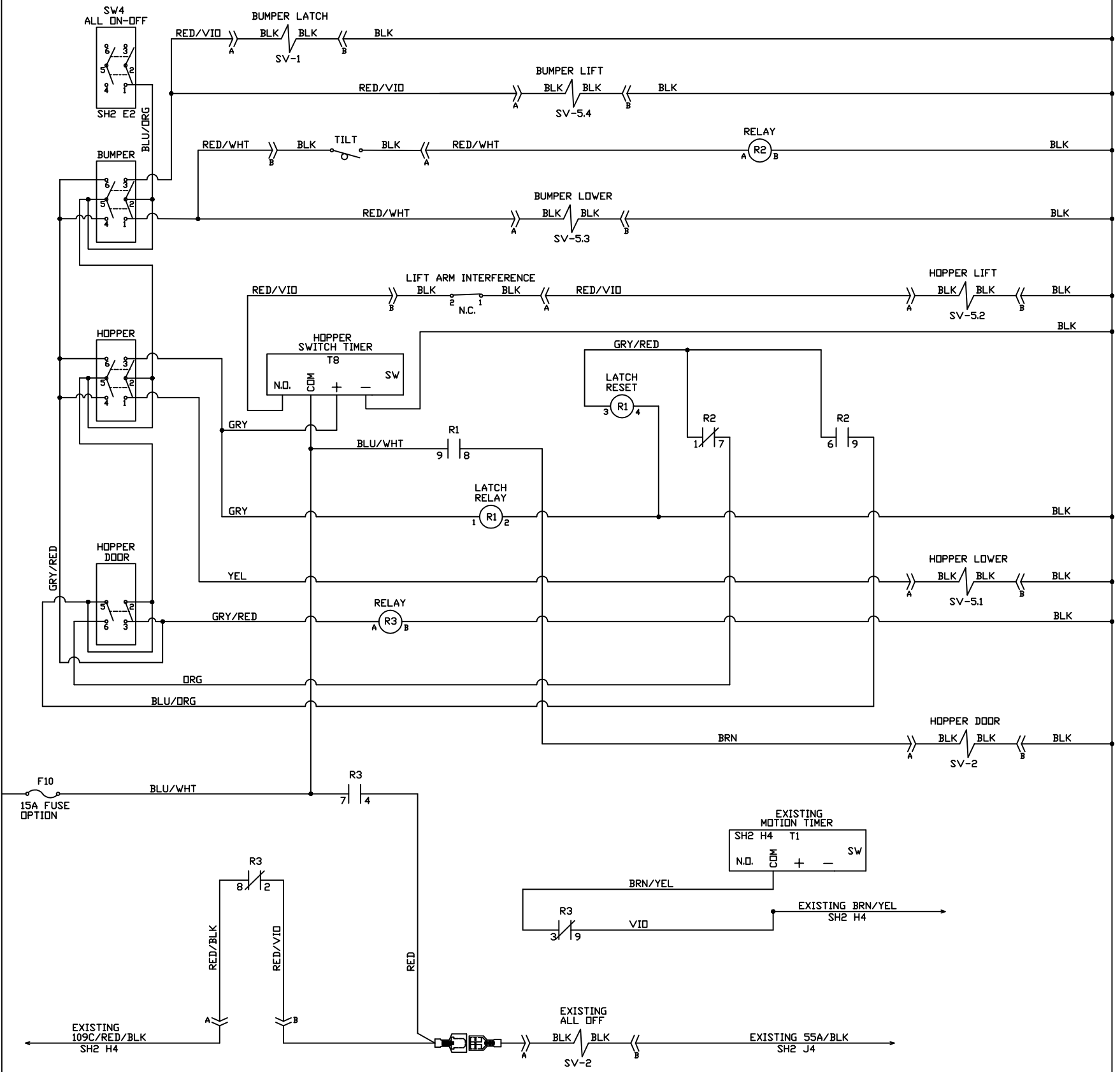


NAUTILUS HD

5/RED



CONFIDENTIAL											
THIS DRAWING AND ALL INFORMATION CONTAINED THEREIN ARE THE EXCLUSIVE PROPERTY OF MINUTEMAN INTERNATIONAL, INC. THIS DRAWING IS NOT TO BE COPIED OR OTHERWISE REPRODUCED WITHOUT EXPRESSED WRITTEN PERMISSION OF MINUTEMAN INTERNATIONAL, INC. IN ADDITION, THIS DRAWING MUST BE RETURNED UPON REQUEST. FURTHER, ALL INFORMATION CONTAINED HEREIN MUST BE MAINTAINED CONFIDENTIAL.											
TITLE NAUTILUS ELECTRICAL SCHEMATIC								SCALE NTS			
MATERIAL N/A					FINISH N/A						
TOLERANCES (UNLESS OTHERWISE SPECIFIED)					REMOVE BURRS AND BREAK SHARP EDGES .005/.020						
E		MIN-13575	10/02/17	ADD BLUE LIGHTS & REAR VIEW CAMERA	KHH	JWP	0-1" ± 1/16	.000 ± .005	SIZE	DRAWN BY KHH	DATE 08/03/15
D		MIN-13523	07/28/17	ADD DRY SWEEP OPT & UPDATE LATCH RELAY	KHH	JWP	>1-12" ± 1/4"	.00 ± .010	B	CHECKED BY JWP	DATE 08/03/15
C		MIN-13367	11/11/16	ADD MTR PMP OPTION, ADD SHEET 5	KHH	JWP	<12" ± 1/2"	ANGLES ± 30'			
B		MIN-13227	04/25/16	ADD PARK LT, HD WIRE COLOR, SW9	KHH	JWP			P.N. 748992-1		
REV	E.C.N.	DATE	CHANGE			BY	CHK BY	14N845 U.S. ROUTE 20 PINGREE GROVE, IL 60140		REV E	
SHEET 4 OF 5											